

Level Sensor

with pneumatic or conductive measuring principle



The pneumatically or conductively operating level sensors can be equipped with up to four pressure wave switches or rod electrodes, respectively. The individual adjustment of the installation length to the specific task and conditions ensures universal and accurate measurements with a long lasting reliability in all fields of industrial process technology, monitoring and laboratory applications.

Features

- suitable for up to four pressure wave switches (pneumatic measurement principle) or rod electrodes (conductive measurement principle)
- high operational reliability
- universally applicable at temperatures up to +75 °C
- robust, ready-to-install design
- easy installation and handling
- installation limited to open or unpressurised tanks
- pressure wave switches designed for aggressive fluids
- installation length variable
- compact design with protective pipe and hoses
- splash-water proof connection housing

Application fields

- preferred application in water treatment, water purification and exhaust air cleaning plants
- suitable for general industrial measurements

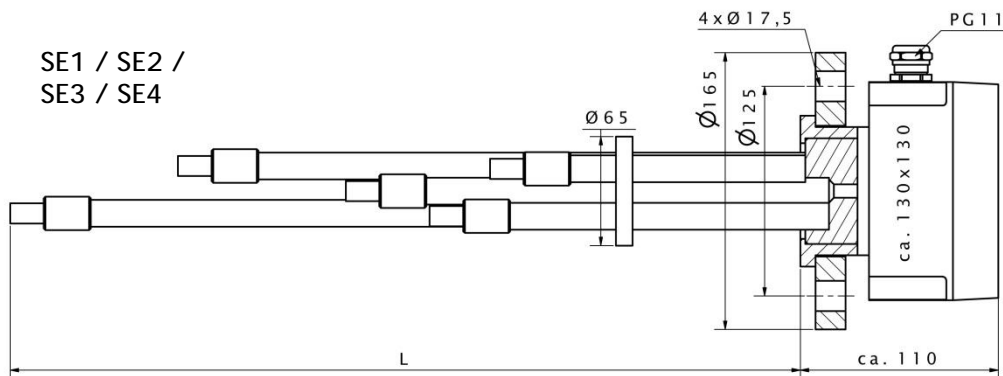
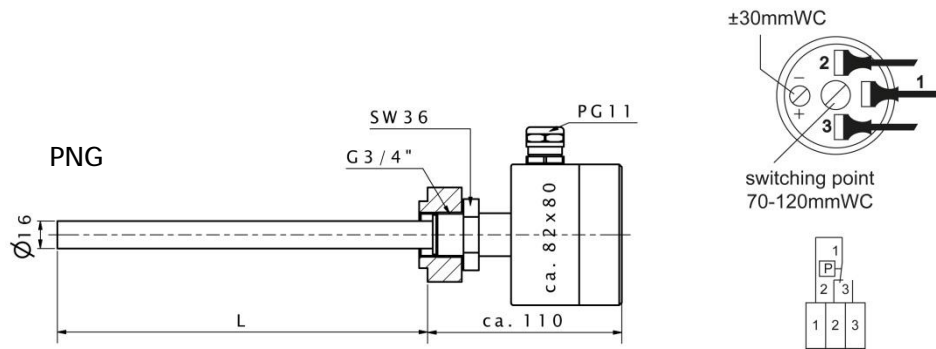
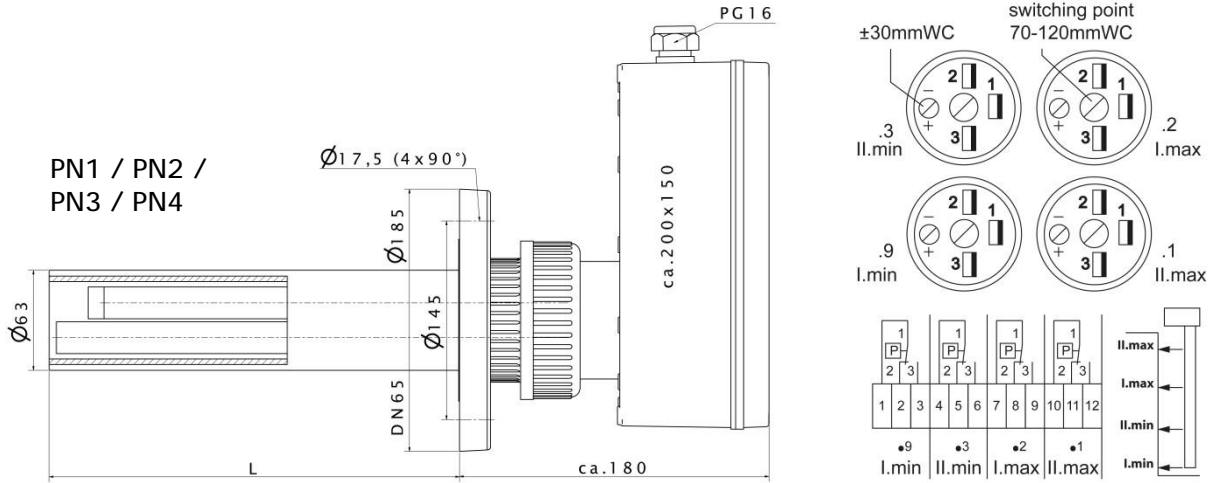
Technical data

Parameter	PN1	PN2	PN3	PN4	PNG	SE1	SE2	SE3	SE4	
measuring principle	pneumatic					conductive				
number of pressure wave switches / rod electrodes	1	2	3	4	1	1	2	3	4	
switchover contact	230 V AC, 3 A					-				
switching hysteresis	±50 mm WS					-				
response pressure	120 ±30 bis 70 ±30 mm WS (adjustable)					-				
contact material of measuring cell	-					graphite				
material	PVC, PP					PVC, PP				
connection	wired on terminals			plug-in connection		wired on terminals				
connection cable feedthrough	PG 16			PG 11		PG 11				
diameter protective pipe	DA63			16 mm		16 mm				
installation	flange DN65			thread G 3/4"		flange DN65				
installation length	1.0 to 5.0 m			0.5 to 2.5 m		1.0 to 4.0 m				
permitted temperature range	PVC	0 to +50 °C				0 to +50 °C				
	PP	0 to +75 °C				0 to +75 °C				
remarks	in PP without protective pipe and with welded single rods				suitable for connection to the electronic level switch device NS82A		measuring cells are delivered uninstalled, final installation comprises cutting the immersion pipe to length and gluing of the cells when PVC or welding when PP.			
							suitable for connection to the electronic level switch device NS82A			

Maintenance

- frequent maintenance is recommended to prevent measurement errors,
- maintenance interval depending on media and its degree of pollution
- included work to be undertaken:
 - functional tests of switches
 - visual inspection of sealings in terms of damages
 - visual inspection of hoses and, if necessary, cleaning according to media and degree of pollution by means of chemical and/or mechanical cleaning procedures (only applicable for pneumatic level sensors)





We will be pleased to assist you by selecting the suitable option that meet your requirements. In addition to the displayed order options special customized designs are certainly possible. Please contact us!

Specifications are subject to modifications.